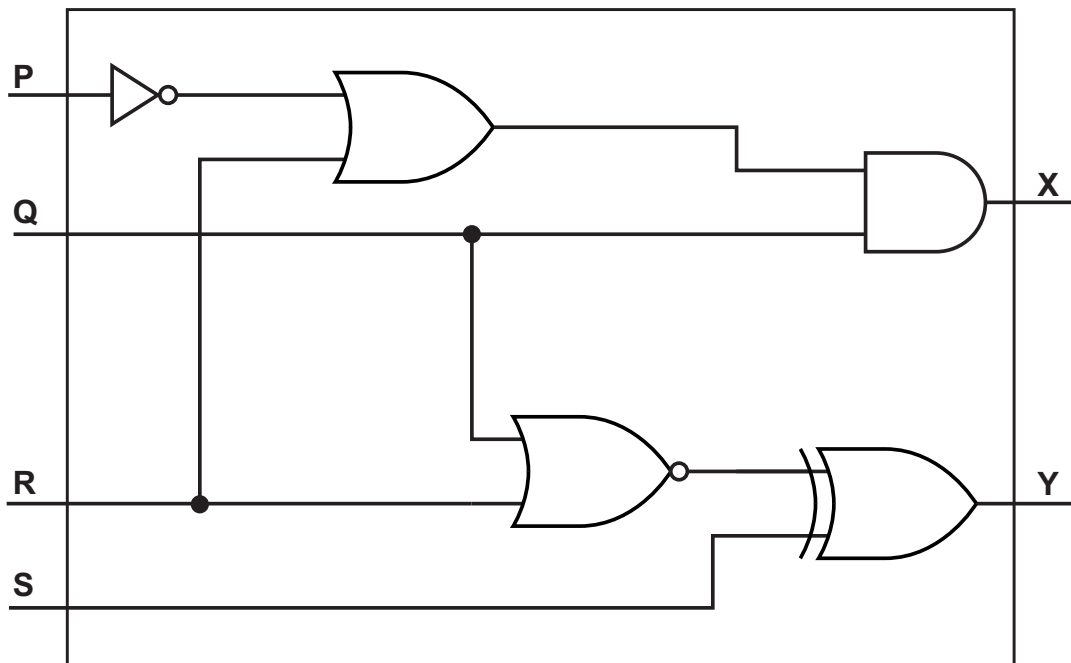


1 (a) Write the logic expressions for the following logic circuit.

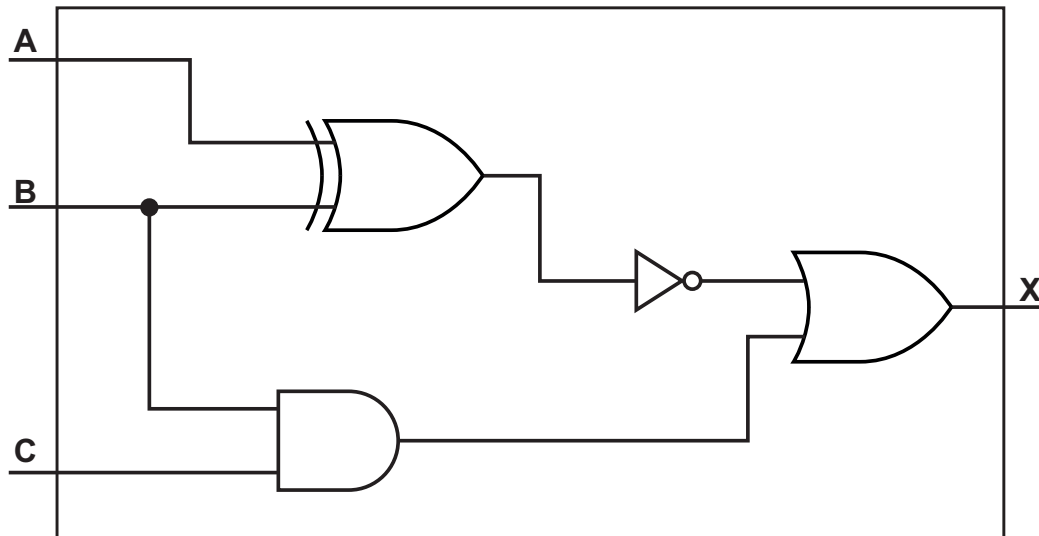


X = .....

Y = .....

[2]

(b) Complete the truth table for the following logic circuit.



A	B	C	Working space	X
0	0	0		
0	0	1		
0	1	0		
0	1	1		
1	0	0		
1	0	1		
1	1	0		
1	1	1		

[2]