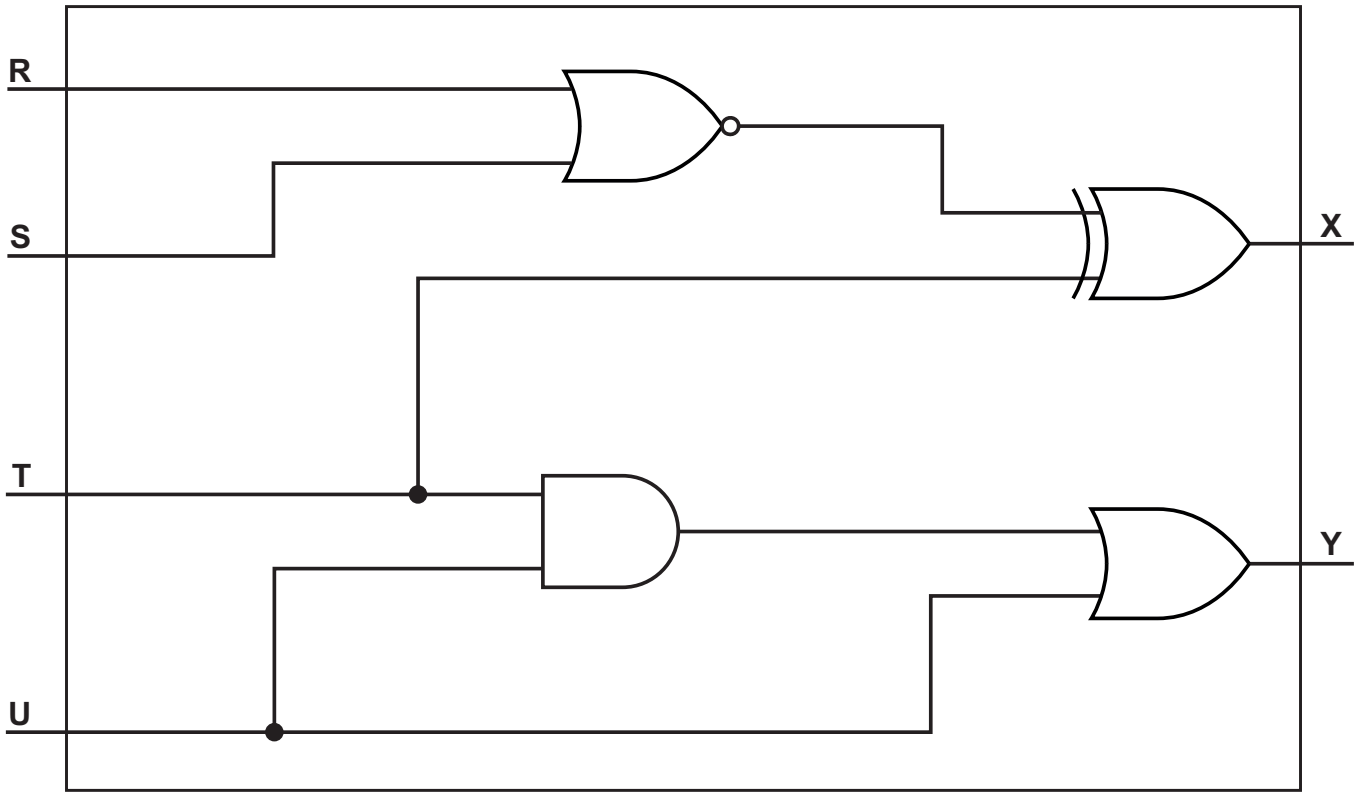


4 (a) Write the logic expressions for the following logic circuit.



X =

Y =

[2]

(b) Complete the truth table for the logic expression:

$$X = \text{NOT} (A \text{ AND } (B \text{ XOR } C))$$

A	B	C	Working space	X
0	0	0		
0	0	1		
0	1	0		
0	1	1		
1	0	0		
1	0	1		
1	1	0		
1	1	1		

[2]