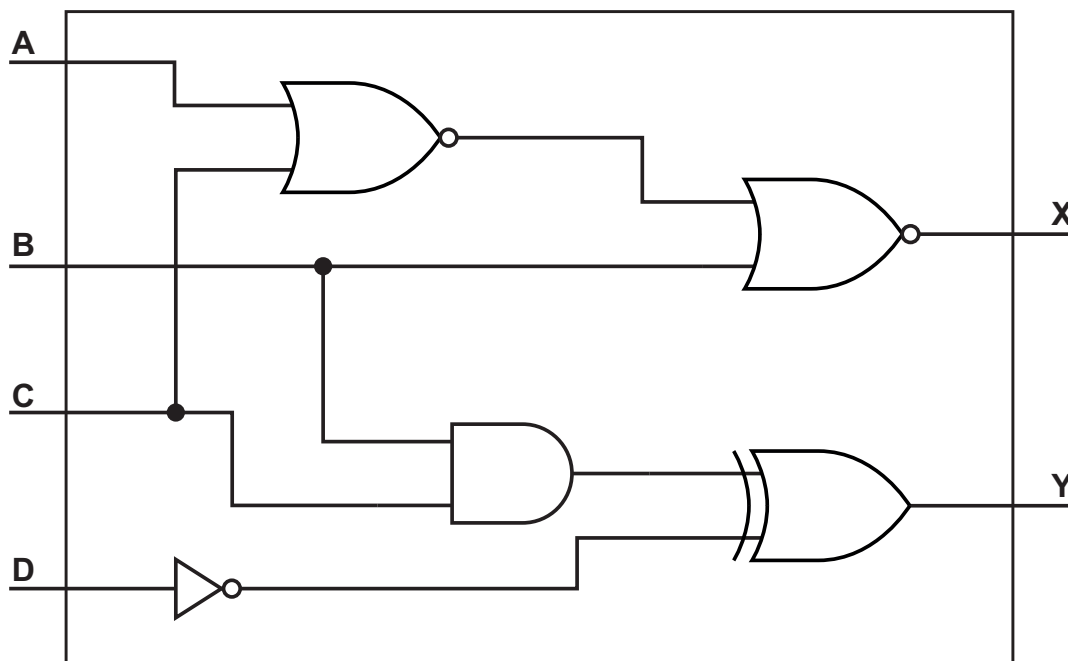


4 (a) Write the logic expressions for the following logic circuit.



X =

Y =

[2]

(b) Complete the truth table for the logic expression:

$$X = (A \text{ OR } B) \text{ XOR } (B \text{ OR } C) \text{ XOR } (\text{NOT } A \text{ NAND } C)$$

A	B	C	Working space	X
0	0	0		
0	0	1		
0	1	0		
0	1	1		
1	0	0		
1	0	1		
1	1	0		
1	1	1		

[2]