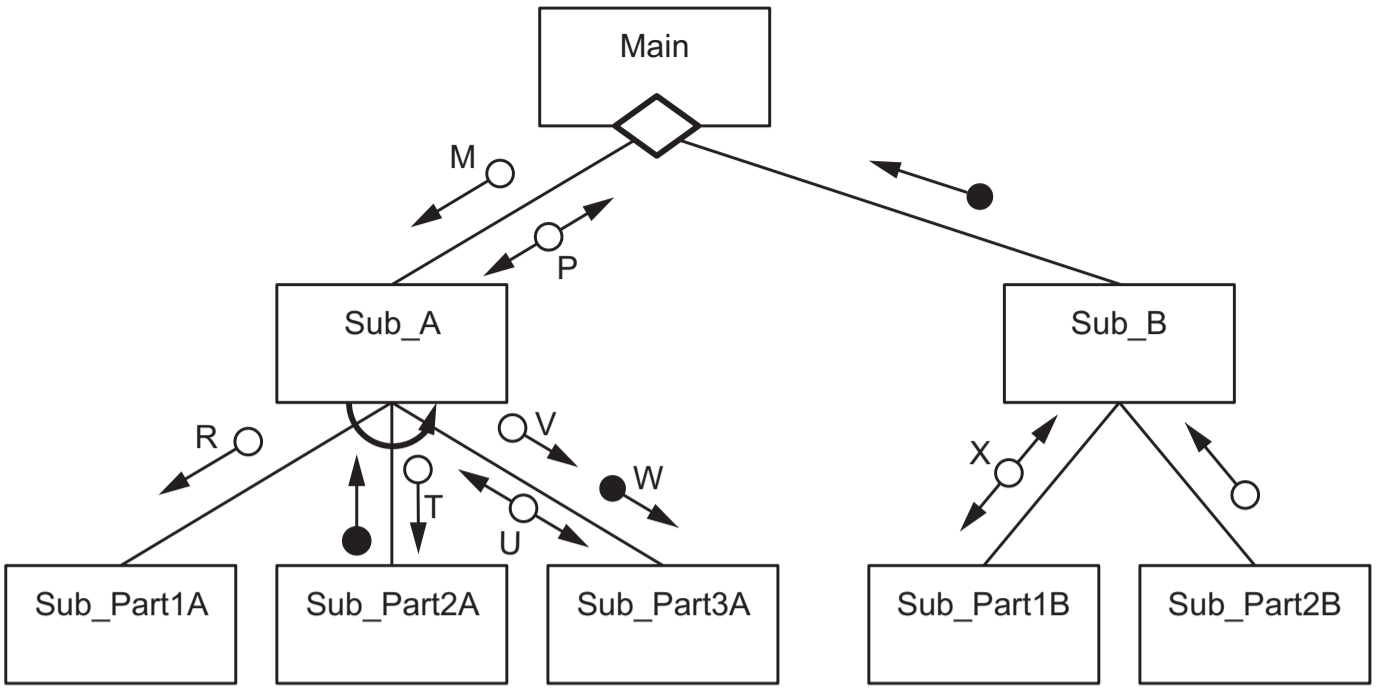


6 Study the structure chart:



Some of the parameter data types are:

- R and V are of type `INTEGER`
- T is of type `REAL`
- U is of type `STRING`
- W is of type `BOOLEAN`.

Some of the modules in the structure chart are functions, others are procedures.

(a) Explain **one** difference between functions and procedures.

.....
 [1]

(b) Write the pseudocode to define the module headers:

Sub_Part1A

.....

Sub_Part2A

.....

Sub_Part3A

.....

[5]

(c) The structure chart uses the two symbols shown.

Complete the table to explain what each symbol means and how the relevant modules in the structure chart are affected.

Symbol	Explanation
◊
↷

[3]