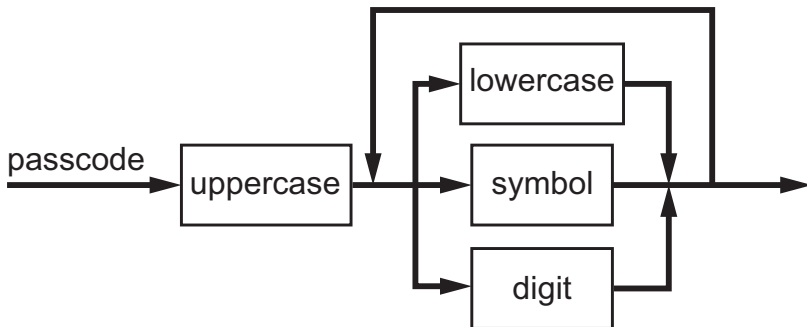
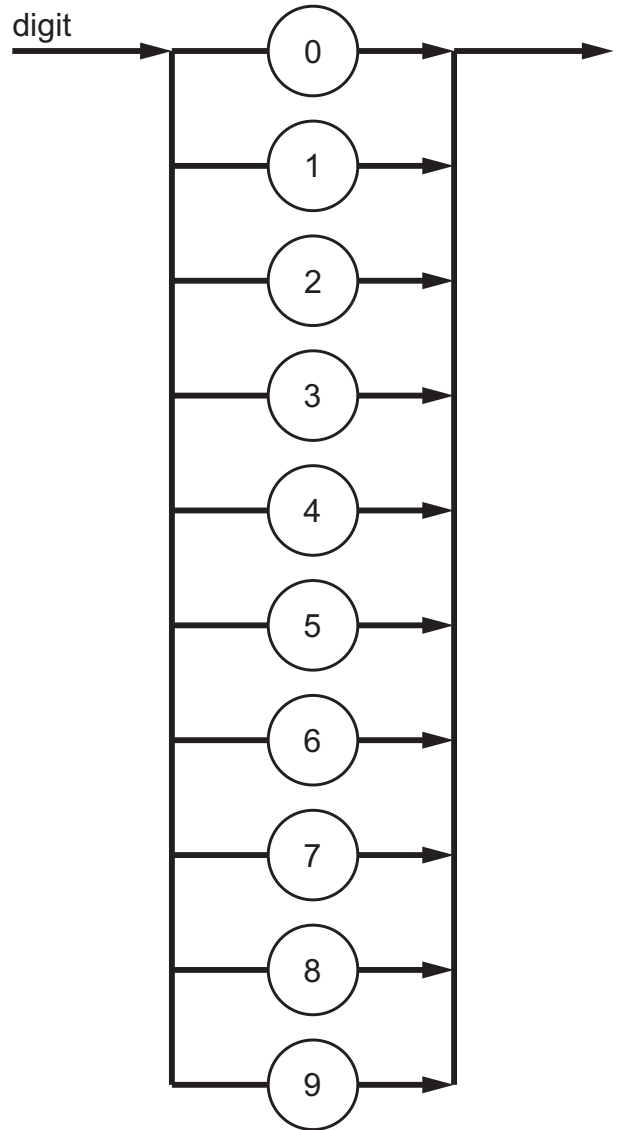
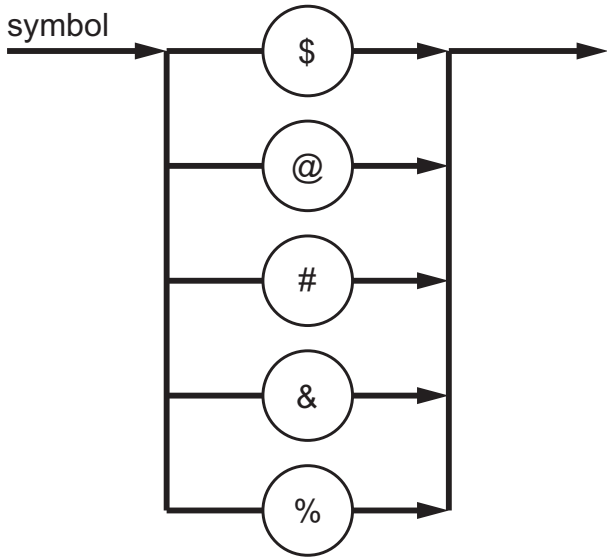
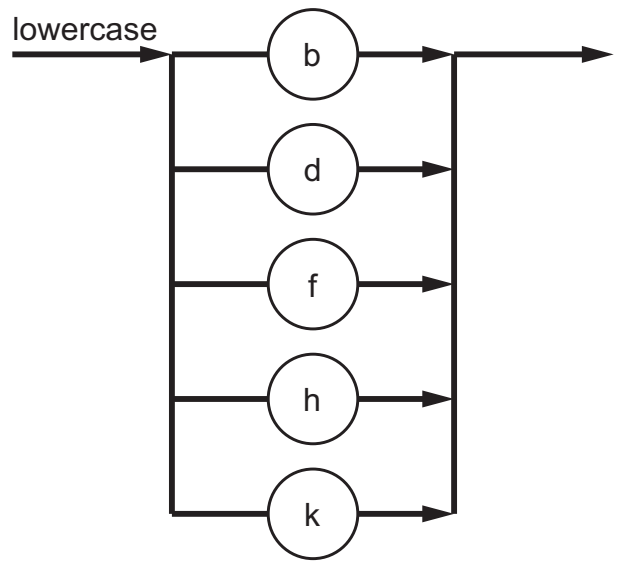
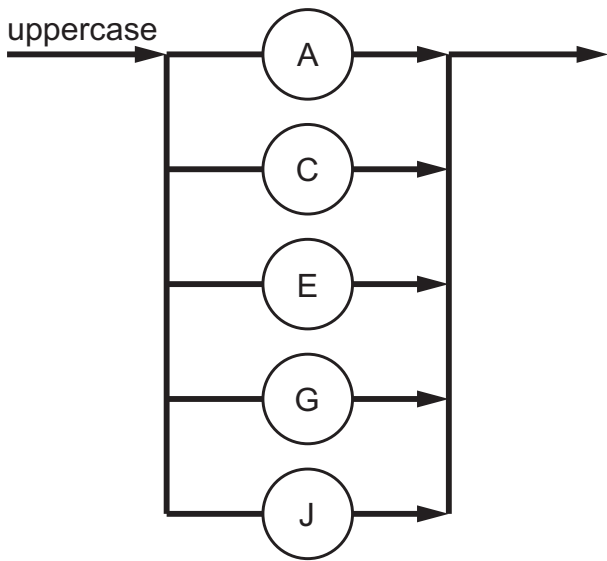


7 Several syntax diagrams are shown.



(a) State why each **passcode** is invalid for the given syntax diagrams.

#Jd7

Reason

.....

C%6A

Reason

.....

[2]

(b) Complete the Backus-Naur Form (BNF) for <uppercase> and <passcode>.

<uppercase> ::=

.....

<passcode> ::=

.....

.....

.....

.....

[4]