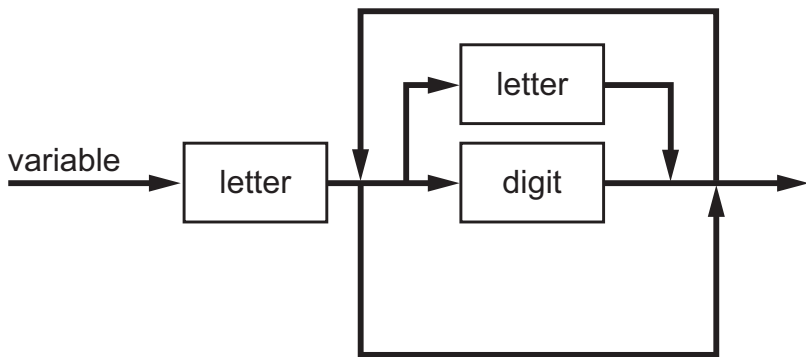
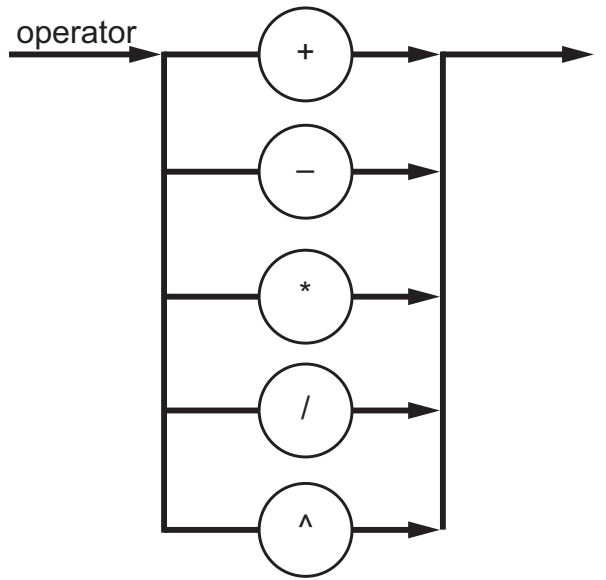
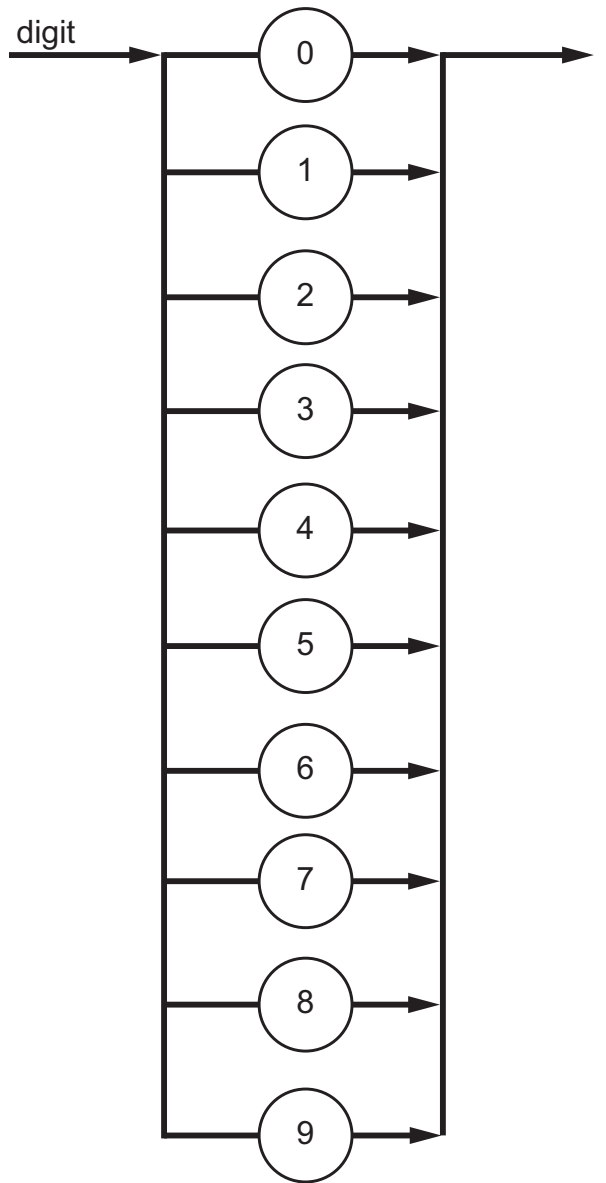
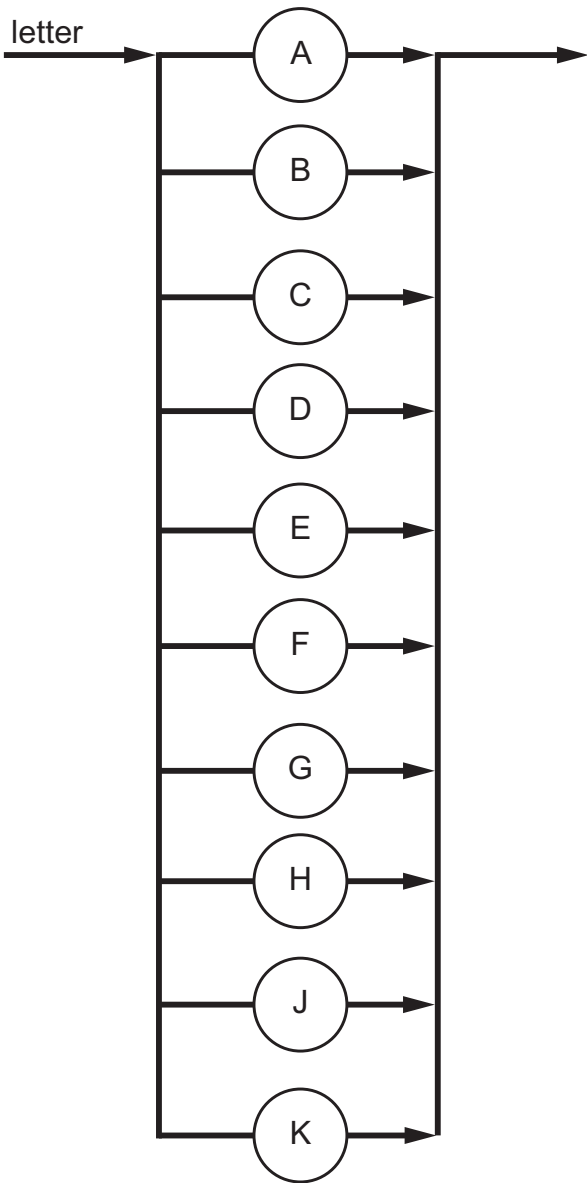


9 Several syntax diagrams are shown.



(a) State why 9K is **not** a valid variable for the given syntax diagrams.

.....
 [1]

(b) Complete the Backus-Naur Form (BNF) for <operator>.

<operator> ::=
 [1]

(d) A character can be a letter or a digit.

An additional constraint has been applied to the definition of variable. It must comply with the given syntax diagram, but it will only pass validation if it has at least **four** characters.

State **one** example of a valid variable.

.....
 [1]

10 Identify the **two** main protocols that form Transport Layer Security (TLS) **and** state the purpose of each.

Protocol 1

Purpose

.....

Protocol 2

Purpose

.....