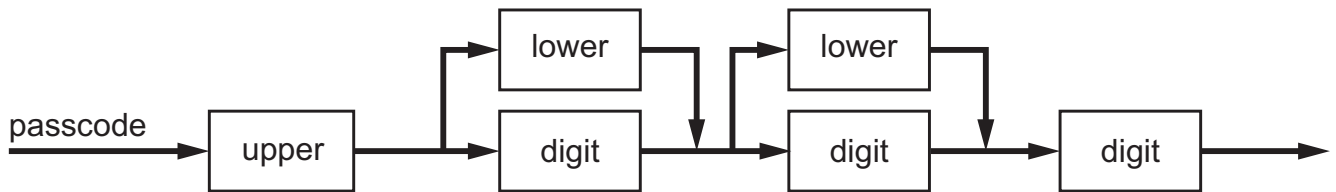
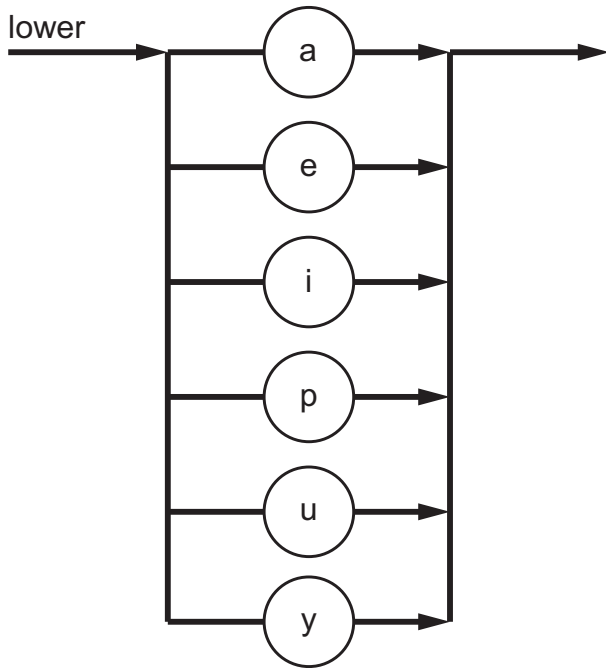
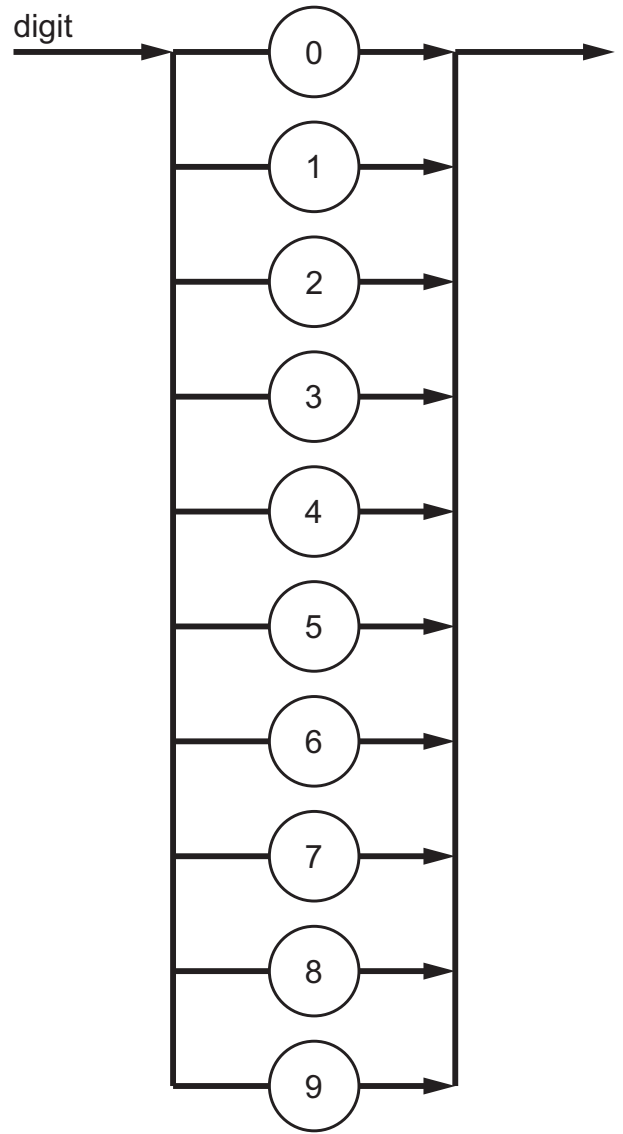
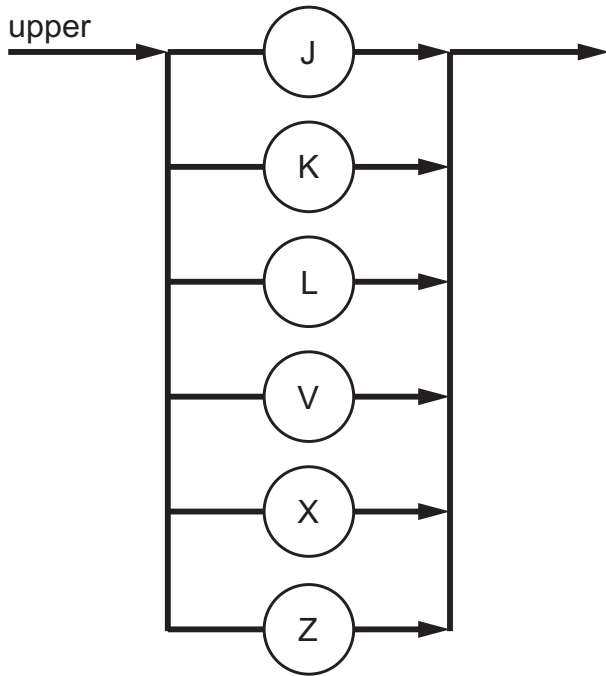


9 Several syntax diagrams are shown.



(a) State why JJ90 is **not** a valid passcode for the given syntax diagrams.

.....
 [1]

(b) Complete the Backus-Naur Form (BNF) for <upper> and <passcode>.

<upper> ::=

.....

<passcode> ::=

.....

.....