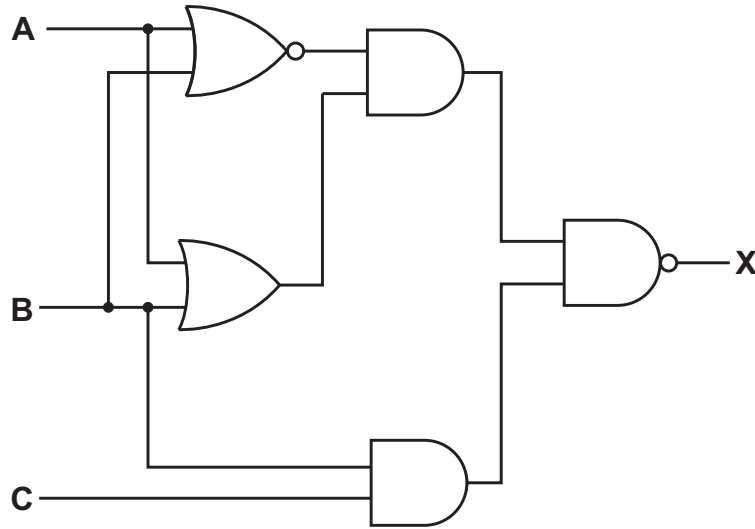


1 (a) Describe the operation of a 2-input XOR gate.

.....
..... [1]

(b) Write the logic expression for the following logic circuit.



X =
..... [2]

(c) Draw the logic circuit for the logic expression:

$$X = ((\text{NOT } A \text{ AND } (\text{B AND C})) \text{ OR } (\text{B NAND C})) \text{ AND NOT } A$$



[2]