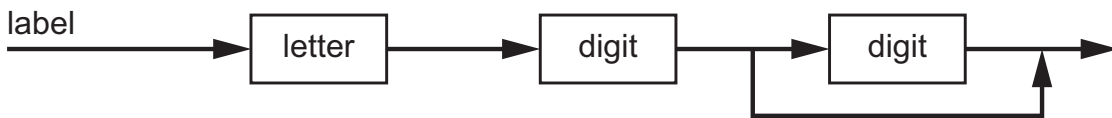
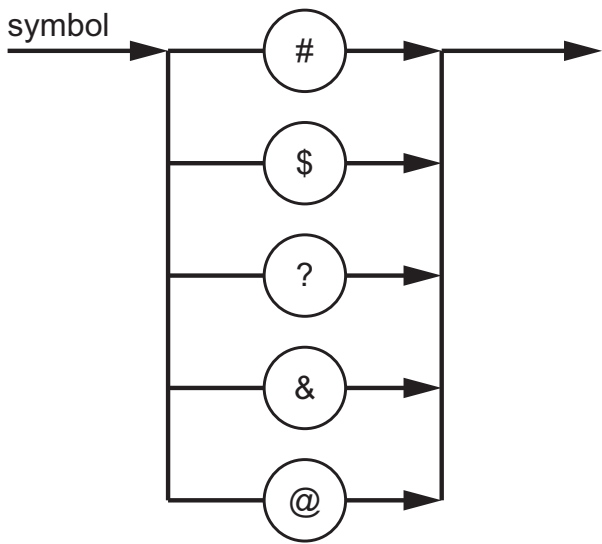
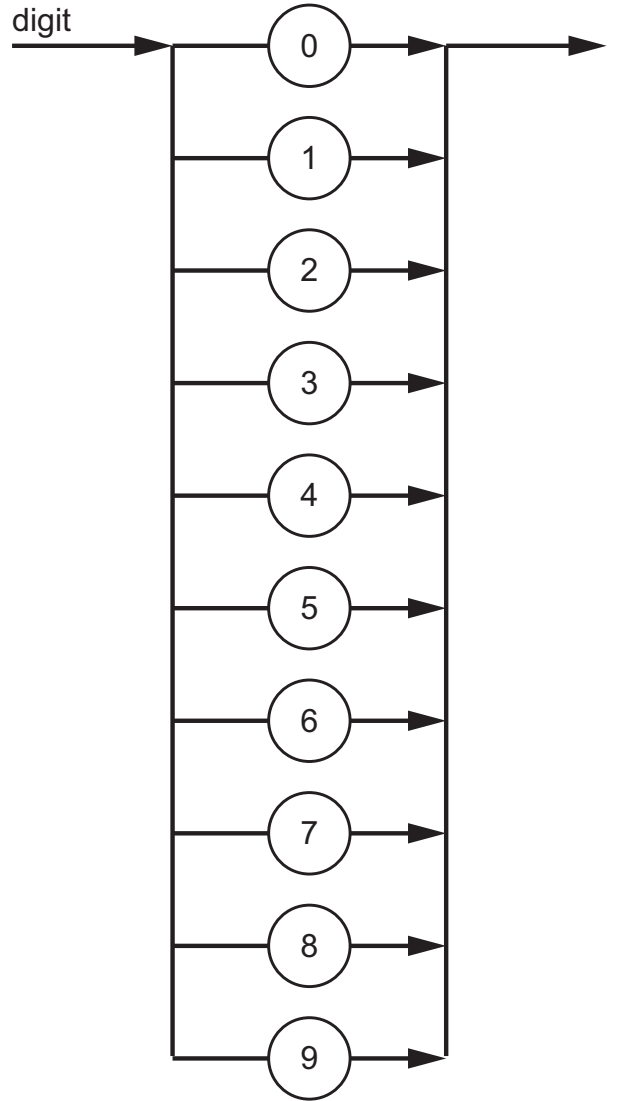
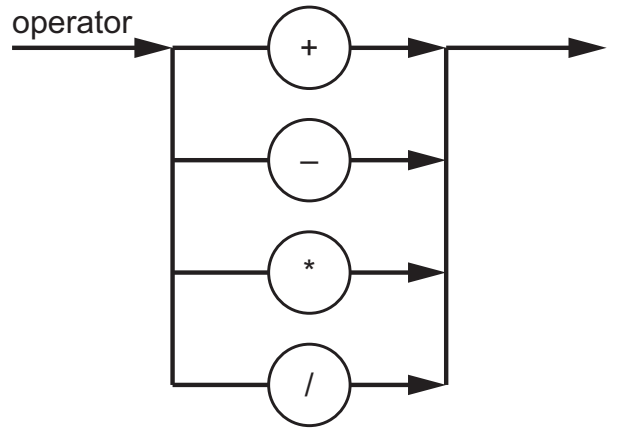
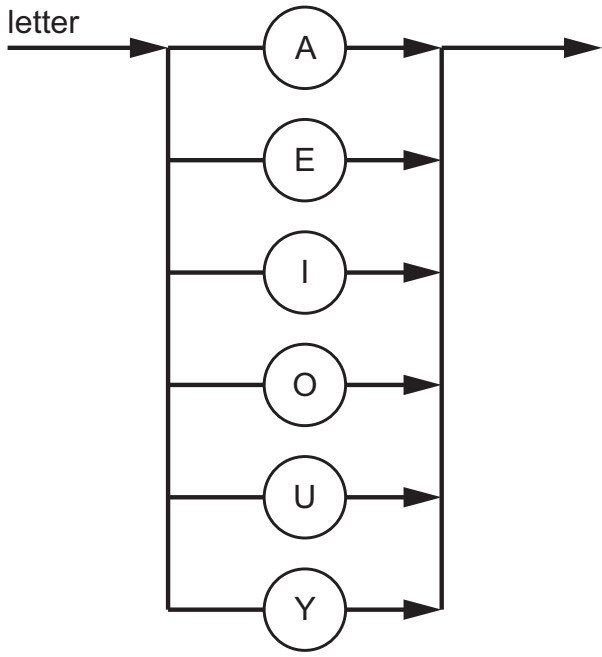


10 Several syntax diagrams are shown.



(a) Complete the Backus-Naur Form (BNF) for the given syntax diagrams.

<operator> ::=

.....

<label> ::=

.....

<equation> ::=

.....

[4]

(ii) Write the BNF for password.

.....

.....

.....

.....

[2]