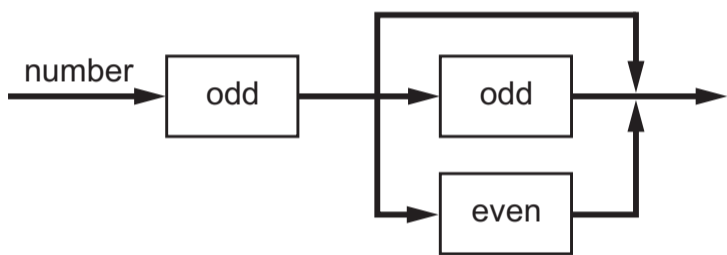
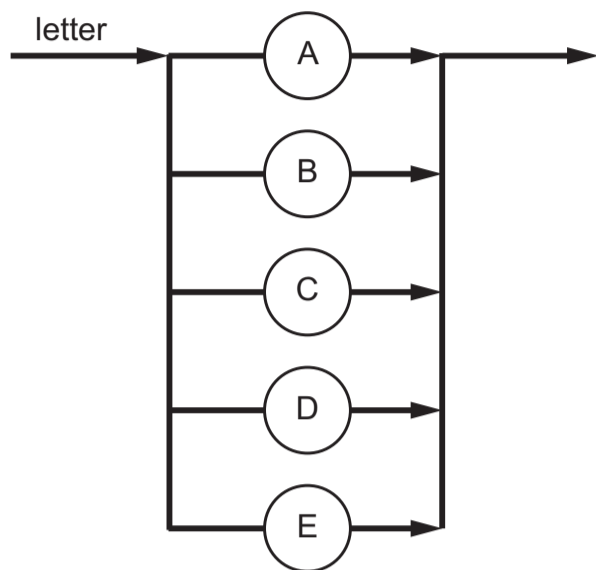
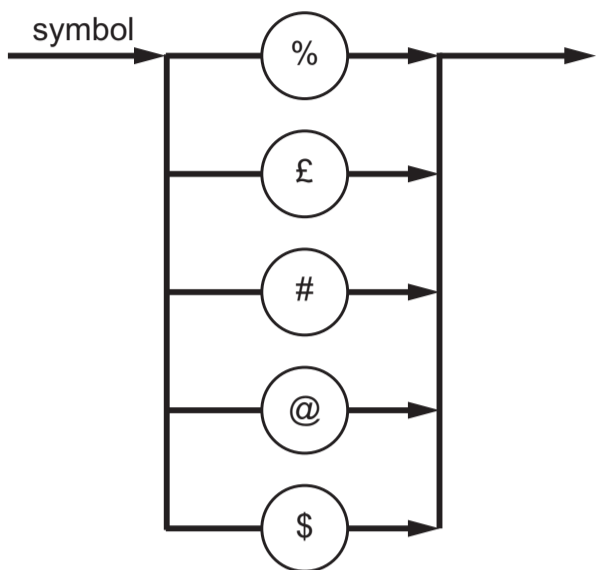
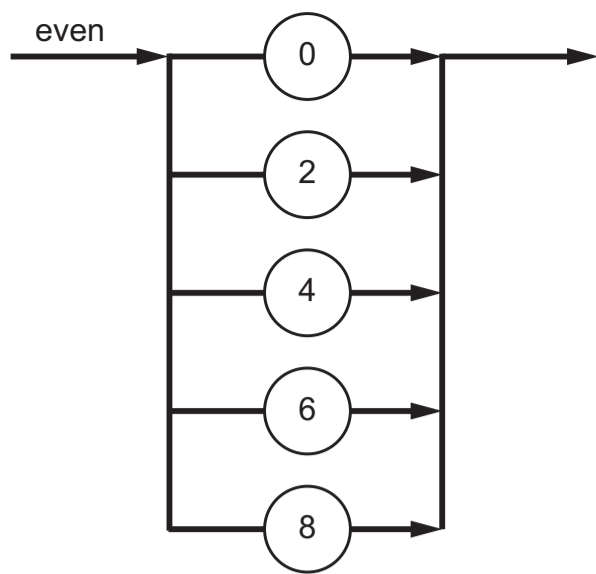
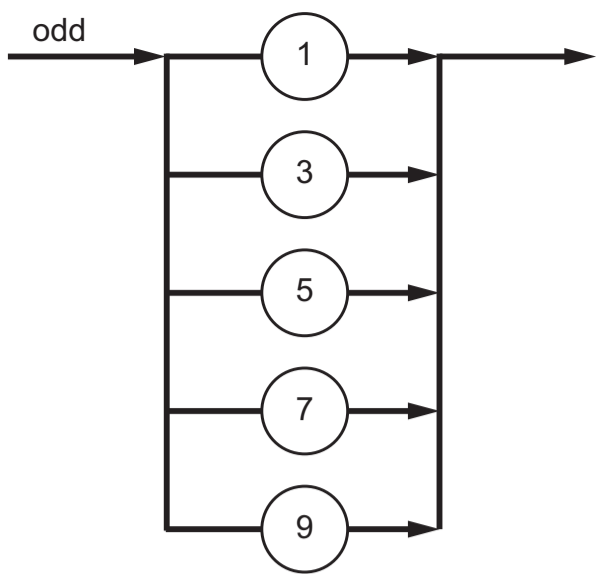


7 Several syntax diagrams are shown.



(a) State why each number is invalid for the given syntax diagrams.

21

Reason

123

Reason

[2]

(b) Complete the Backus-Naur Form (BNF) for the given syntax diagrams.

<symbol> ::=

<number> ::=

[2]

(c) A new syntax rule, **code**, is required. It must begin with a letter, followed by one or two numbers, and end with a symbol.

(i) Draw a syntax diagram for **code**.

[3]

(ii) Write the BNF for **code**.

.....

[2]