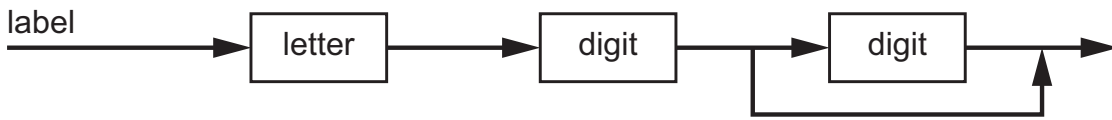
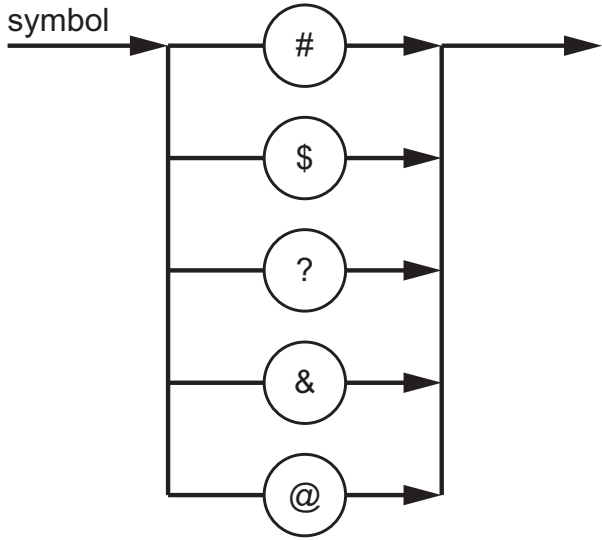
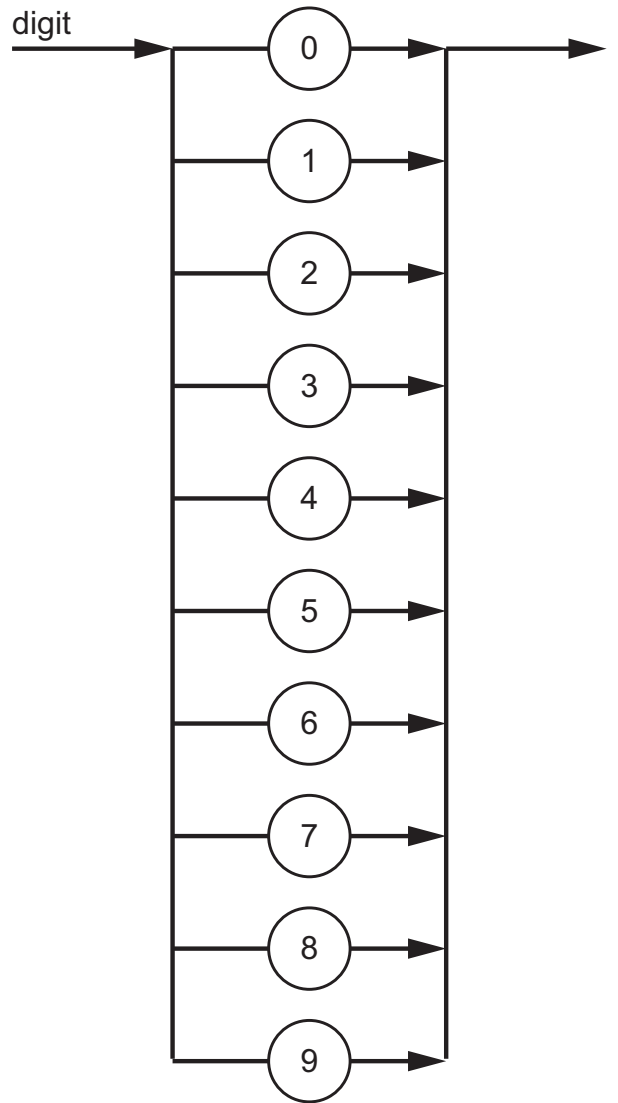
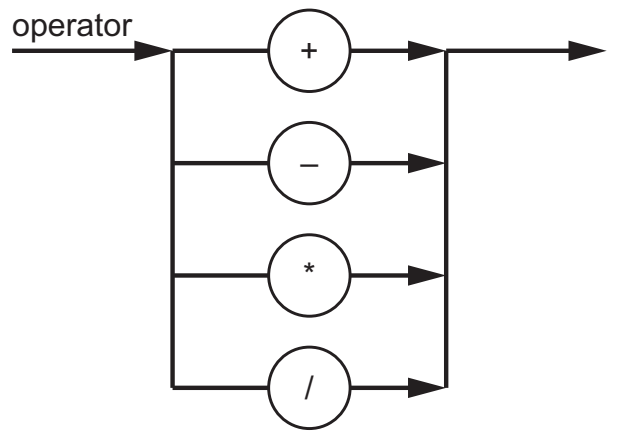
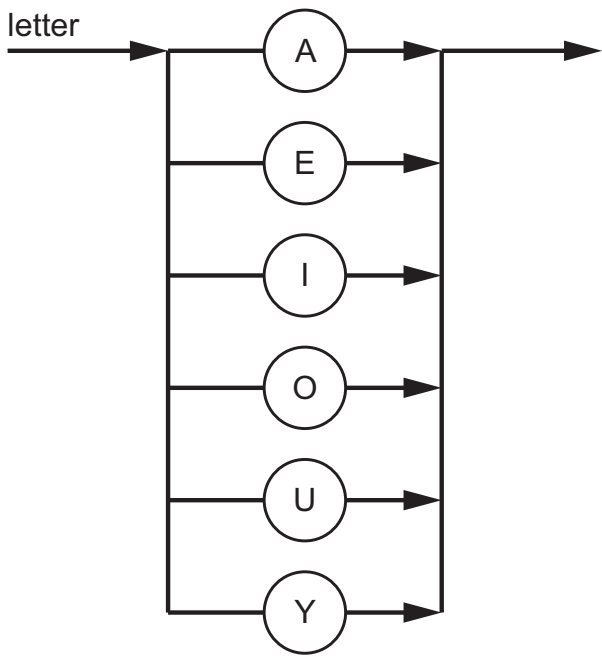


10 Several syntax diagrams are shown.



(a) Complete the Backus-Naur Form (BNF) for the given syntax diagrams.

<operator> ::= .....

.....

<label> ::= .....

.....

<equation> ::= .....

.....

[4]

(b) A new syntax rule, **password**, is required. It must begin with a letter or a symbol, followed by a digit and end with one or two symbols.

(i) Draw a syntax diagram for **password**.

[3]

(ii) Write the BNF for **password**.

.....

.....

.....

.....

[2]