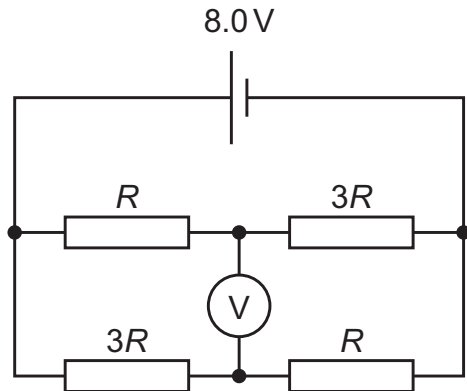


- 35** Two resistors of resistance R and two resistors of resistance $3R$ are connected to a cell of e.m.f. 8.0V as shown.

The cell has negligible internal resistance.



What is the reading on the voltmeter?

- A** 0.0V **B** 2.0V **C** 4.0V **D** 6.0V