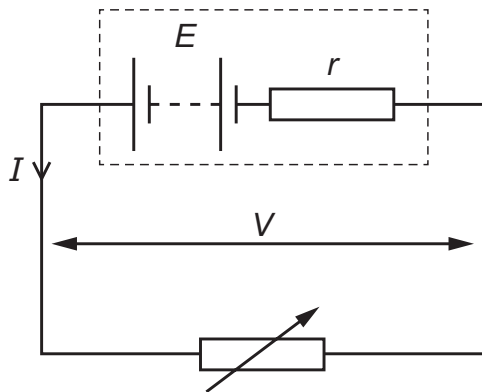


- 36** A battery has an e.m.f. E and internal resistance r . The battery delivers a current I to a variable resistor and the p.d. across its terminals is V .



The variable resistor is adjusted so that I increases.

Why does V decrease?

- A** The e.m.f. E decreases.
- B** The internal resistance r increases.
- C** The p.d. across r increases.
- D** The resistance of the variable resistor increases.