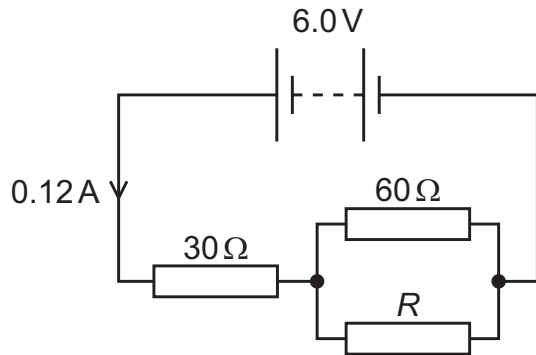


- 35** A battery of electromotive force (e.m.f.) 6.0 V and negligible internal resistance is connected to three resistors, as shown.



The current in the battery is 0.12 A .

What is resistance R ?

- A** $12\ \Omega$ **B** $30\ \Omega$ **C** $50\ \Omega$ **D** $60\ \Omega$