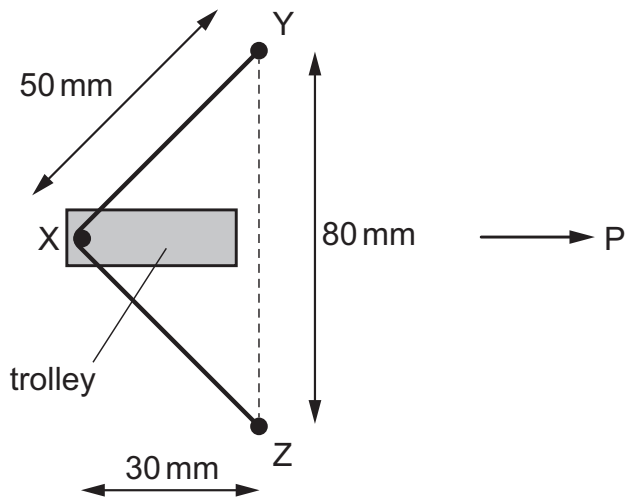


- 4 The diagram shows two fixed pins, Y and Z. A length of elastic is stretched between Y and Z and around pin X, which is attached to a trolley.



X is at the centre of the elastic and the trolley is to be propelled in the direction P at right angles to YZ. The tension in the elastic is 4.0 N.

What is the force accelerating the trolley in the direction P when the trolley is released?

- A** 2.4 N **B** 3.2 N **C** 4.8 N **D** 6.4 N