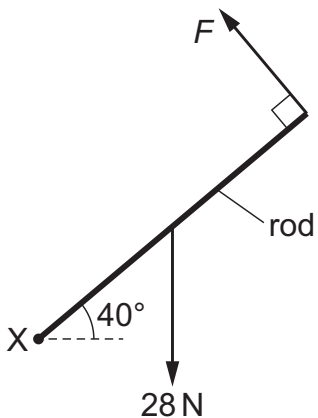


13 A uniform rod of weight 28 N is supported at one end by force F .

The rod is in equilibrium and attached to a frictionless hinge at end X.



What is the magnitude of F ?

A 9.0 N

B 11 N

C 18 N

D 21 N