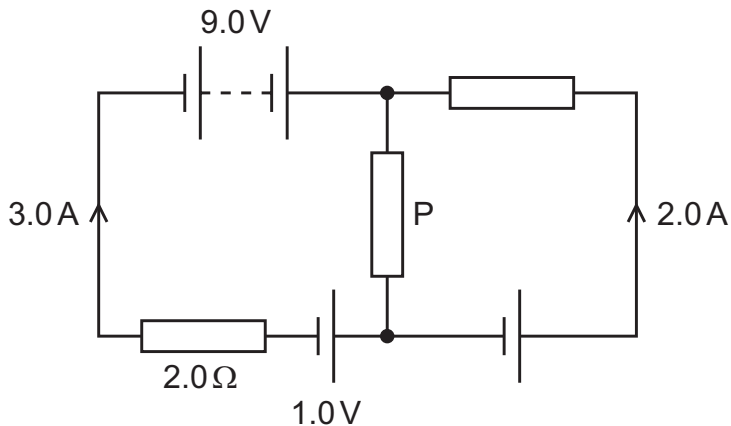


- 34** The diagram shows a circuit containing a battery and cells with negligible internal resistance. Some values of current, electromotive force (e.m.f.) and resistance are shown. One resistor is labelled P.



What is the resistance of resistor P?

- A**  $0.40\ \Omega$       **B**  $0.80\ \Omega$       **C**  $2.0\ \Omega$       **D**  $2.8\ \Omega$