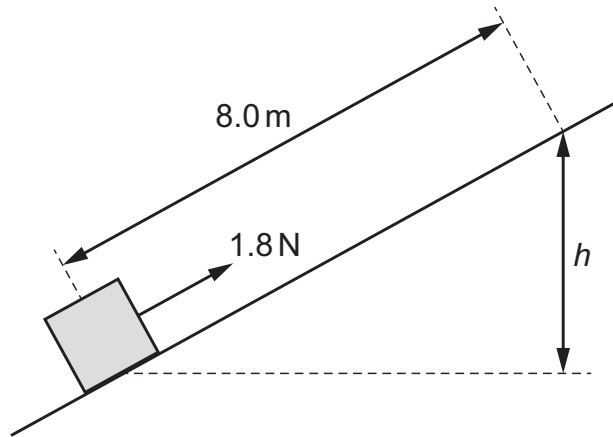


19 The diagram shows a block on a slope.



A constant force of 1.8 N in a direction parallel to the slope is exerted on the block. This causes the block to move along the slope at a constant speed.

The block moves a distance of 8.0 m along the slope and gains height h . The work done against the frictional force acting on the block is 4.8 J.

The weight of the block is 4.0 N.

What is the value of h ?

- A** 1.2 m **B** 2.4 m **C** 3.6 m **D** 4.8 m