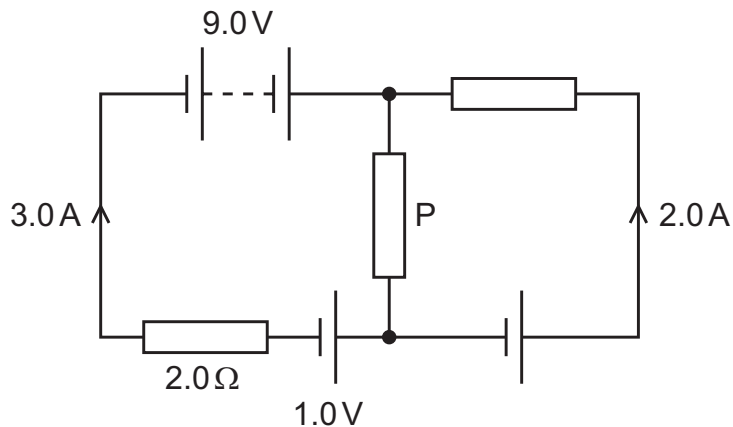


- 34** The diagram shows a circuit containing a battery and cells with negligible internal resistance. Some values of current, electromotive force (e.m.f.) and resistance are shown. One resistor is labelled P.



What is the resistance of resistor P?

- A** 0.40Ω **B** 0.80Ω **C** 2.0Ω **D** 2.8Ω