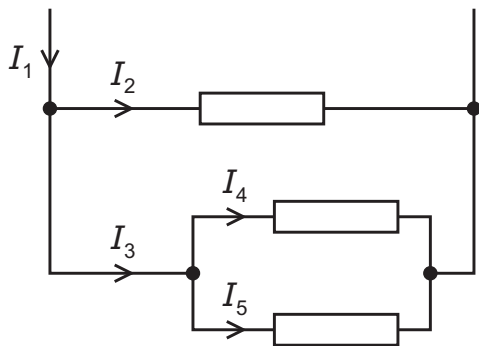


37 The diagram shows the currents in part of an electric circuit.



The resistors are identical.

Which equation is **not** correct?

A $I_1 = I_2 + I_4 + I_5$

B $I_2 = I_1 - I_3$

C $I_2 = I_3 + I_4 + I_5$

D $I_4 = I_3 - I_5$