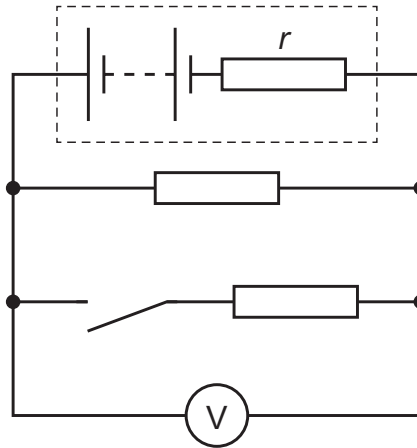


- 37 The circuit diagram shows a battery with internal resistance  $r$ , two resistors, a switch and a voltmeter. The switch is open.



The switch is now closed.

What happens to the current in the battery, and what happens to the reading on the voltmeter, when the switch is closed?

	current in battery	reading on voltmeter
<b>A</b>	increases	decreases
<b>B</b>	increases	remains the same
<b>C</b>	remains the same	decreases
<b>D</b>	remains the same	remains the same