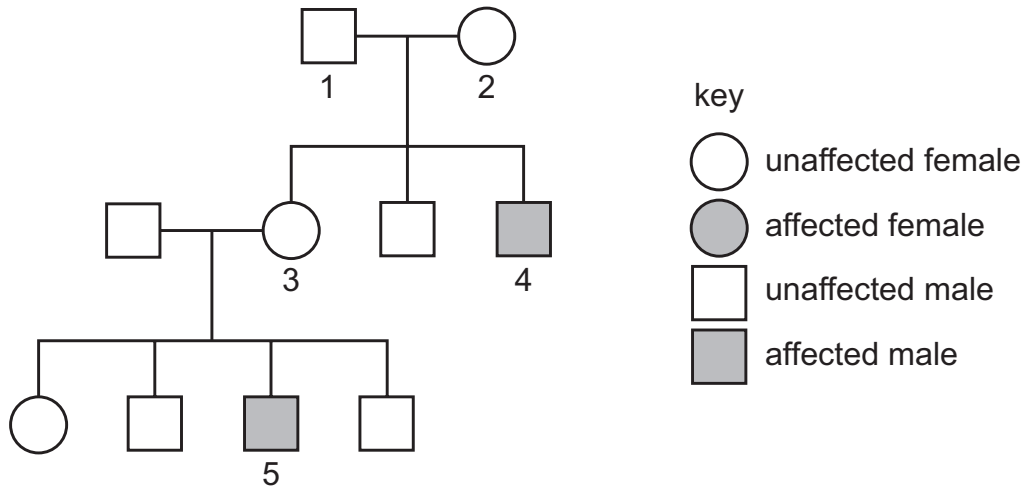


**32** The diagram shows the inheritance, in one family, of a sex-linked recessive disease.



Which individuals in the diagram are heterozygous for this disease?

**A** 1 and 2

**B** 1 only

**C** 2 and 3

**D** 4 and 5