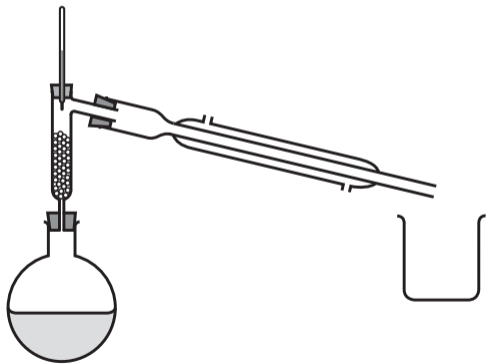


39 Which items of apparatus are used to separate a mixture of liquids with different boiling points?

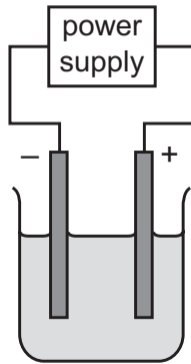
A



B



C



D

