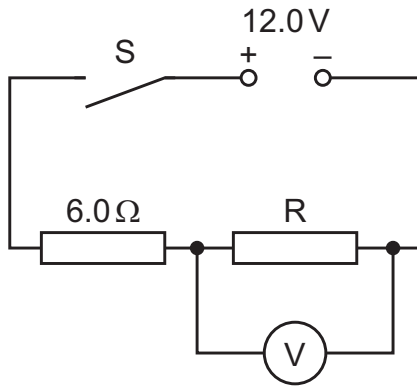


- 28 The diagram shows two resistors in series connected to a power supply.



The reading on the voltmeter is 3.0V when the switch is closed.

What is the resistance of resistor R?

- A** 0.67Ω      **B** 1.2Ω      **C** 1.5Ω      **D** 2.0Ω