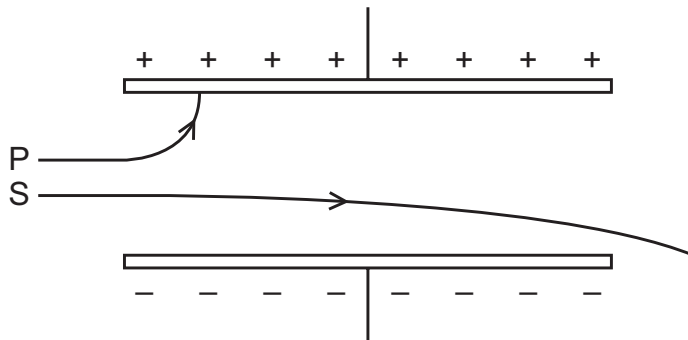


36 Two beams of radiation, P and S, enter an electric field, as shown.



Which types of radiation are P and S?

	P	S
<b>A</b>	beta ( $\beta$ )	alpha ( $\alpha$ )
<b>B</b>	beta ( $\beta$ )	gamma ( $\gamma$ )
<b>C</b>	gamma ( $\gamma$ )	alpha ( $\alpha$ )
<b>D</b>	gamma ( $\gamma$ )	gamma ( $\gamma$ )