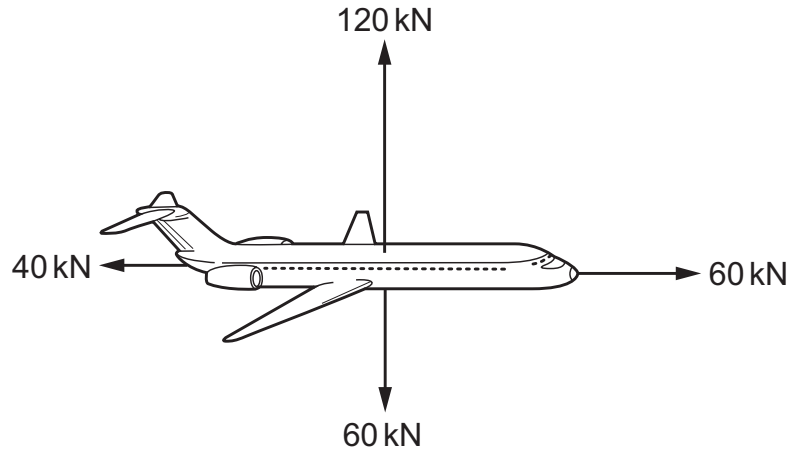


2 The diagram shows the four forces acting on an aircraft in flight.



Which arrow shows the direction of the resultant of the four forces?

