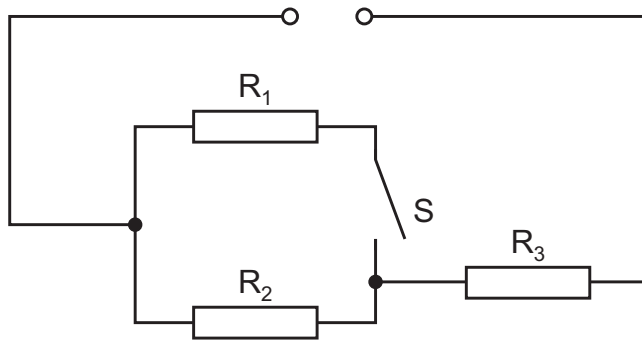


- 27 The diagram shows three  $20\ \Omega$  resistors,  $R_1$ ,  $R_2$  and  $R_3$ , and a switch  $S$  connected to a d.c. power supply.



Switch  $S$  is open.

The potential difference (p.d.) across  $R_3$  is  $9.0\text{V}$ .

What is the p.d. across  $R_3$  when switch  $S$  is closed?

- A**  $3.0\text{V}$       **B**  $6.0\text{V}$       **C**  $12\text{V}$       **D**  $27\text{V}$