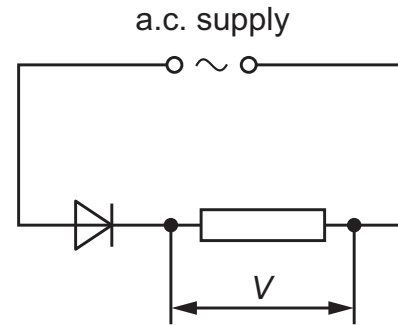
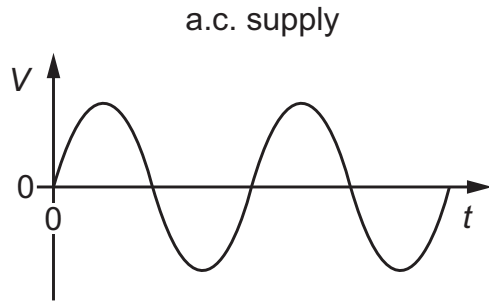


**29** An alternating (a.c.) supply is connected to a diode and a resistor in series.



Which graph shows how the potential difference  $V$  across the resistor varies with time  $t$ ?

