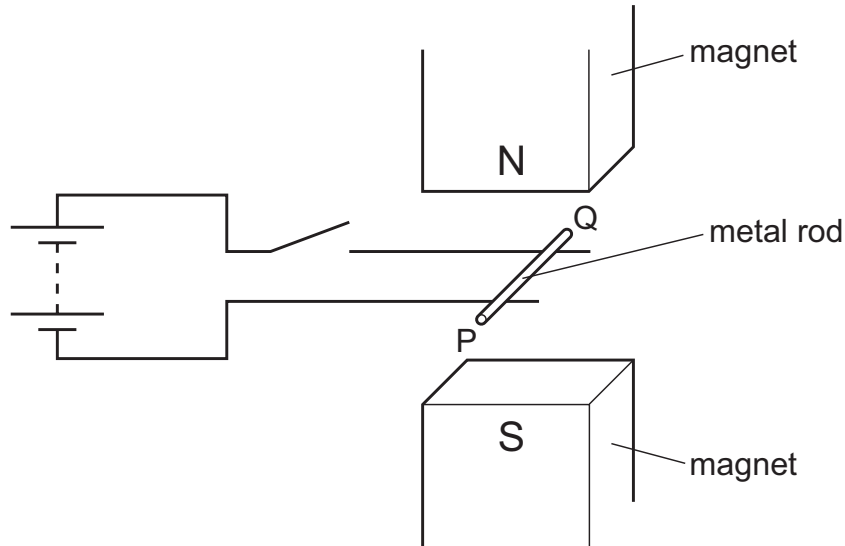


- 32** A metal rod PQ rests on two horizontal metal wires that are attached to a battery. The rod lies between the poles of a magnet.



When the switch is closed, the rod moves to the right.

What could be changed so that the rod moves to the left?

- A** Open the switch.
- B** Reverse the battery terminals and exchange the poles of the magnet.
- C** Reverse the battery terminals but without exchanging the poles of the magnet.
- D** Turn the metal rod around (P and Q exchanged).